

## DESCRIPTION

The UFLD LED floodlight luminaire combines high-efficiency optics, superior thermal management and energy efficiency in a cost-effective solution. The compact, robust design incorporates a separate driver compartment for maximum heat dissipation to insure longevity of both the fixture and the optics. The UFLD luminaire uses precision engineered optics delivering superior uniformity and excellent illumination to the targeted application. Typical applications include area lighting for security, building facade lighting, accent and signage lighting in both commercial and industrial applications. The UFLD luminaire is UL/cUL listed for wet locations and is IP66 rated.

## SPECIFICATION FEATURES

### Construction

Heavy-duty, die cast aluminum housing, driver compartment and driver door. A separate driver compartment and external fins provide optimal thermal management that result in longer LED and driver life. The housing, optical chamber and driver compartment are IP66 rated. Access to the driver for maintenance is achieved with a removable driver door using pan head screws. A one-piece silicone gasket seals the door to the fixture housing. The fixture is 3G vibration rated (ANSI C136.31) to ensure durability in area and site lighting applications. Suitable for mounting within 4' (1.2m) of the ground.

### Optics

The LED chamber incorporates a vacuum metalized reflector that provides high-efficiency illumination. Optics are precisely designed to shape the NEMA type 6H x 6V wide distribution and 3H x 3V spot distribution, maximizing efficiency and application spacing. Clear glass tempered lens with full circumference form-in-place silicone gasket protects the optics from damage. Offered standard in 4000K (+/- 275K) CCT and minimum 70 CRI. Optional 5700K CCT, 5000K CCT and 3000K CCT and minimum 70 CRI are available.

### Electrical

LED driver is mounted to the removable die-cast aluminum door for optimal heat sinking and ease of maintenance. 120-277V 50/60Hz, 347V 60Hz or 480V 60Hz operation. Integral 6kV surge is standard. 10kV/10kA common- and differential- mode surge protection available as an option. 0-10V dimming driver is available to accommodate controls capability such as dimming and occupancy. Available with 3-PIN or 7-PIN NEMA photocontrol receptacles. Suitable for ambient temperatures from -40°C to 40°C. Optional 50°C HA (high ambient) available. 90% lumen maintenance greater than 50,000 hours per IESNA TM-21. Luminaire available with the field adjustable dimming controller (FADC) to manually adjust wattage and reduce the total lumen output and light levels. Comes pre-set to the highest position at the lumen output selected.

### Accessories

Heavy-duty steel top and side visors control glare and spill light. 1/8" thick UV stabilized vandal guard shields glass lens from impact when mounted at low levels. Easy to install wire guard features a heavy-gauge welded construction with corrosion resistant polyester powder coat

finish to protect glass from projected objects.

### Mounting

Mounting options include an integral die-cast aluminum slipfitter that is preset to a tilt of 45°. The knuckle base is supplied with a tooth lock adjustment that can be adjusted in 5° increments. Visual 15° adjustment indicators on the knuckle allow for 180° field rotation of the floodlight assembly. The slipfitter fits standard 2-3/8"-3" O.D. tenon. The trunnion mounting includes a 3/16" polyester powder coated galvanized steel trunnion with a 16/3 STW-A cord. The trunnion mount uses an interlocking slide adjustment that is locked in place with a set screw.

### Finish

Housing and cast parts finished in five-stage super TGIC polyester powder coat paint, 2.5 mil nominal thickness for superior protection against fade and wear.

### Warranty

Standard five-year warranty. Optional ten-year warranty, please see your Cooper Lighting Solutions Streetworks sales representative for more information.

<b>Catalog #</b>		<b>Type</b>
<b>Project</b>		
<b>Comments</b>		<b>Date</b>
<b>Prepared by</b>		



## UFLD UTILITY FLOOD

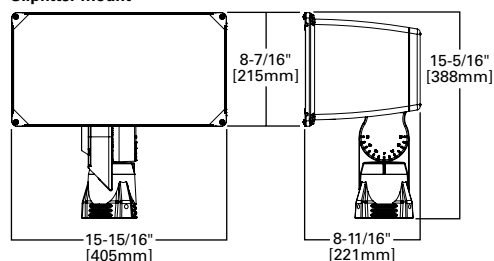
Solid State LED

FLOODLIGHT

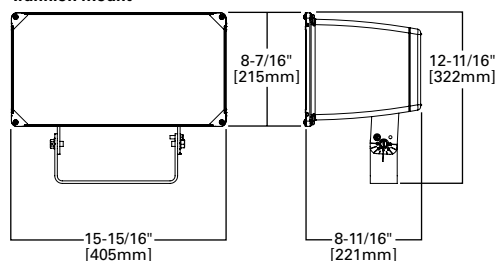


## DIMENSIONS

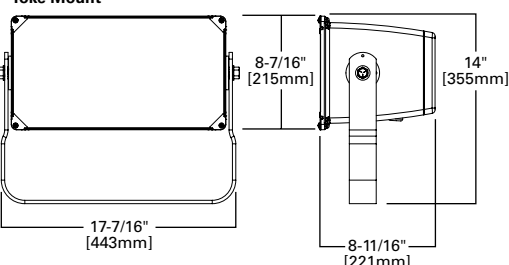
### Slipfitter Mount



### Trunnion Mount



### Yoke Mount



### CERTIFICATION DATA

UL/cUL Wet Location Listed  
IP66 Fixture and Optical Chamber  
LM79/LM80 Compliant  
3G Vibration Rated  
RoHS Compliant  
DesignLights Consortium® Qualified\*

### ENERGY DATA

**Electronic LED Driver**  
> 0.9 Power Factor  
< 20% Total Harmonic Distortion  
120V 50/60Hz, 347V/60Hz and 480V/60Hz  
-40°C Minimum Ambient Temperature Rating  
+40°C Maximum Ambient Temperature Rating

### EPA

Effective Projected Area (Sq. Ft.): 1.25

### SHIPPING DATA

Approximate Net Weight:  
20 lbs. (9.09 kgs.)

**POWER AND LUMENS**

	6x6				3x3			
	UFLD-C25	UFLD-C25-7030	UFLD-C25-7050	UFLD-C25-7060	UFLD-C25	UFLD-C25-7030	UFLD-C25-7050	UFLD-C25-7060
<b>C25 LED</b>								
Delivered Lumens	10,530	10,122	10,383	10,217	10,272	9,874	10,128	9,967
CCT (Kelvin)	4000K	3000K	5000K	5700K	4000K	3000K	5000K	5700K
CRI (Color Rendering Index)	70	70	70	70	70	70	70	70
Power Consumption (Watts)	85W	85W	85W	85W	93W	93W	93W	93W
<b>C40 LED</b>								
Delivered Lumens	16,932	16,268	16,686	16,421	14,113	13,567	13,916	13,694
CCT (Kelvin)	4000K	3000K	5000K	5700K	4000K	3000K	5000K	5700K
CRI (Color Rendering Index)	70	70	70	70	70	70	70	70
Power Consumption (Watts)	128W	128W	128W	128W	143W	143W	143W	143W
<b>C55 LED</b>								
Delivered Lumens	19,943	19,407	20,144	20,285				
CCT (Kelvin)	4000K	3000K	5000K	5700K				
CRI (Color Rendering Index)	70	70	70	70				
Power Consumption (Watts)	145W	145W	145W	145W				
<b>C70 LED</b>								
Delivered Lumens	23,797	23,157	24,037	24,205				
CCT (Kelvin)	4000K	3000K	5000K	5700K				
CRI (Color Rendering Index)	70	70	70	70				
Power Consumption (Watts)	184W	184W	184W	184W				

**CURRENT DRAW**

Voltage (V)	Model Series					
	6x6				3x3	
	UFLD-C25	UFLD-C40	UFLD-C55	UFLD-C70	UFLD-C25	UFLD-C40
	Current (A)	Current (A)	Current (A)	Current (A)	Current (A)	Current (A)
120V	0.708	1.070	1.2299	1.5695	0.778	1.190
277V	0.340	0.465	0.535	0.6726	0.340	0.531
347V	0.251	0.377	0.4213	0.5334	0.271	0.419
480V	0.195	0.273	0.3044	0.3831	0.207	0.320

**LUMEN MAINTENANCE**

Ambient Temperature	TM-21 Lumen Maintenance (60,000 Hours)	Theoretical L70 (Hours)
<b>6H x 6V (Wide)</b>		
25°C	> 94.55%	> 388,000
40°C	> 93.58%	> 327,000
50°C	--	--
<b>3H x 3V (Spot)</b>		
25°C	>92.18%	>262,000
40°C	>91.81%	>249,000

**LUMEN MULTIPLIER**

Ambient Temperature	Lumen Multiplier
10°C	1.03
15°C	1.02
25°C	1.00
40°C	0.97
50°C	0.96

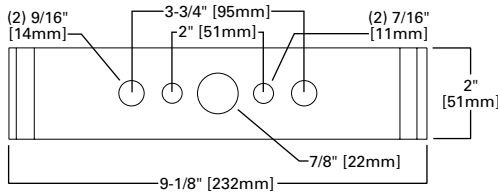
**FADC SETTINGS**

FADC Position	Percent of Typical Lumen Output
1	25%
2	48%
3	56%
4	65%
5	75%
6	80%
7	85%
8	90%
9	95%
10	100%

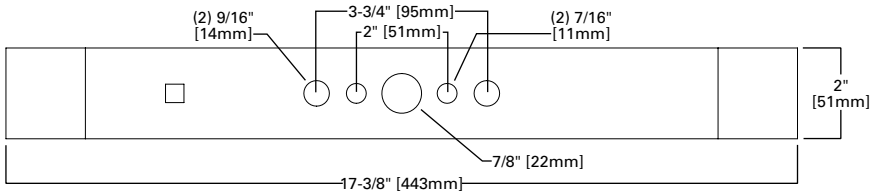
NOTES: +/-5% typical value

**DRILLING PATTERNS**

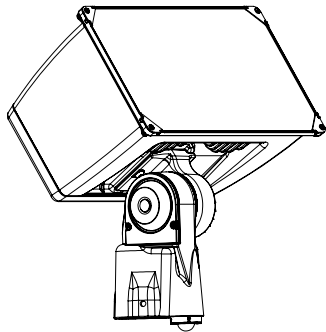
**Trunnion Mount**



**Yoke Mount**

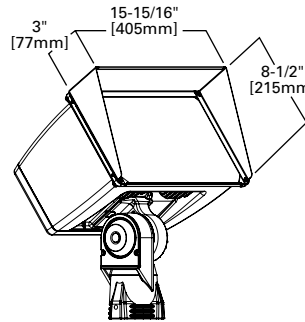


**OPTIONAL INTEGRATED SENSOR**

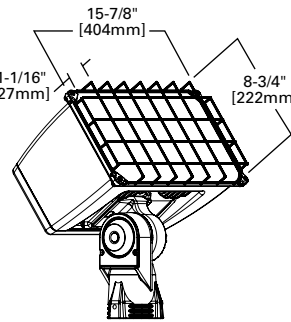


**ACCESSORIES**

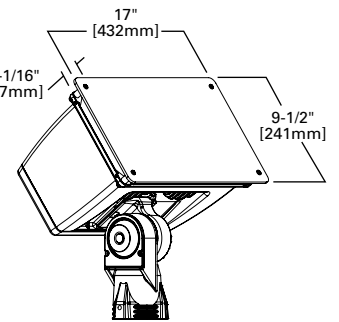
**Top and Side Visors**



**Wire Guard**



**Vandal Shield**



**ORDERING INFORMATION**

Sample Number: UFLD-C40-D-U-66-S-AP-4N7

Product Family	Light Engine <sup>1</sup>	Driver <sup>2</sup>	Voltage	Distribution	Mounting	Color
UFLD=Utility LED Floodlight	C25=10,400 Nominal Lumens C40=15,500 Nominal Lumens C55=20,000 Nominal Lumens C70=24,000 Nominal Lumens	E=Non-Dimming D=Dimming (0-10V) <sup>3</sup>	U=120-277V 8=480V <sup>4</sup> 9=347V <sup>4</sup>	66=NEMA 6Hx6V Wide 33=NEMA 3Hx3V Spot <sup>5</sup>	C=Slipfitter, 2-3/8"-3" O.D. (Cord through housing) S=Slipfitter, 2-3/8"-3" O.D. (Leads through slipfitter) T=Trunnion Y=Yoke	AP=Grey (Standard) BZ=Bronze BK=Black WH=White
<b>Options (Add as Suffix)</b>				<b>Accessories (Order Separately) <sup>11</sup></b>		
7030=70 CRI / 3000K <sup>6</sup> 7050=70 CRI / 5000K <sup>6</sup> 7060=70 CRI / 5700K <sup>6</sup> 4=NEMA 3-PIN Twistlock Photocontrol Receptacle 4N7=NEMA 7-PIN Twistlock Photocontrol Receptacle <sup>7</sup> 10K=10kV/10kA UL 1449 Surge Protective Device HA=50°C High Ambient Temperature <sup>8</sup> D10=<10% Dimming <sup>7</sup> MSP/DIM-L12=Integrated Sensor for Dimming Operation, 8' - 12' Mounting Height <sup>9,10</sup> MSP/DIM-L30=Integrated Sensor for Dimming Operation, 12' - 30' Mounting Height <sup>9,10</sup> MSP-L12=Integrated Sensor for ON/OFF Operation, 8' - 12' Mounting Height <sup>9,10</sup> MSP-L30=Integrated Sensor for ON/OFF Operation, 12' - 30' Mounting Height <sup>9,10</sup> CXXXX=Cord Type <sup>16</sup> FADC=Field Adjustable Dimming Controller <sup>17</sup>				FA63=3" O.D. Surface Mount Bracket <sup>12</sup> OA1223=10kV/10kA UL 1449 Surge Protective Device Replacement OA/RA1013=Photocontrol Shorting Cap OA/RA1014=NEMA Photocontrol - 120V OA/RA1016=NEMA Photocontrol - Multi-Tap OA/RA1027=NEMA Photocontrol - 480V OA/RA1201=NEMA Photocontrol - 347V RAB-XX=Right Angle Pipe Bracket for Slipfitter SAB-XX=Steel Angle Bracket for Trunnion TYS-XX=Slipfitter Adapter for 2-3/8", 3" or 3-1/2" O.D. Tenon <sup>13</sup> TS2/UFLD-XX=Top and Side Visors <sup>14</sup> VS/UFLD=Vandal Shield <sup>14</sup> WG/UFLD=Wire Guard <sup>14</sup> ISHH-01=Integrated Sensor Programming Remote LLPC=Long-life Photocontrol <sup>15</sup> LLPC-FO=Long-life Photocontrol (Fail-Off)		

- NOTES:**
- Standard 4000K CCT and minimum 70 CRI. Consult IES file for actual lumen output.
  - Consult factory for driver surge protection values.
  - Must specify 4N7 option.
  - Only for use with 480V Wye systems. Per NEC, not for use with ungrounded systems, impedance grounded systems or corner grounded systems (commonly known as Three Phase Three Wire Delta, Three Phase High Leg Delta and Three Phase Corner Grounded Delta systems)
  - Only available with C25 and C40 light engines.
  - Extended lead times apply. Use dedicated IES files for 3000K, 5000K, and 5700K when performing layouts. These files are published on the UFLD luminaire product page on the website.
  - Must order with dimming driver.
  - Not available with 3H x 3V spot distribution.
  - 0-10V dimming driver required. Integrated sensor option only available in slipfitter mounting.
  - Not available with Photocontrol.
  - Replace XX with color designation. Additional brackets and adaptors available on the poles product page on the website.
  - Not available with tenon mount.
  - Not available with slipfitter mount.
  - Cannot combine TS2 (Top and Side Visor), VS (Vandal Shield), or WG (Wire Guard), limited to one external guard per fixture.
  - Sold as accessory. Not covered under luminaire warranty.
  - 3-conductor cord available in 12, 14, and 16 gauge with lengths of 5, 8, 10, 15, 20, and 25 feet. Specify cord gauge with the first 2 digits and cord length with the last 2 digits (ex: C1605 = 16-gauge, 5 feet length cord). Standard cord is 16-gauge with length of 3.5 ft if not specified.
  - Cannot be used with motion response control options.